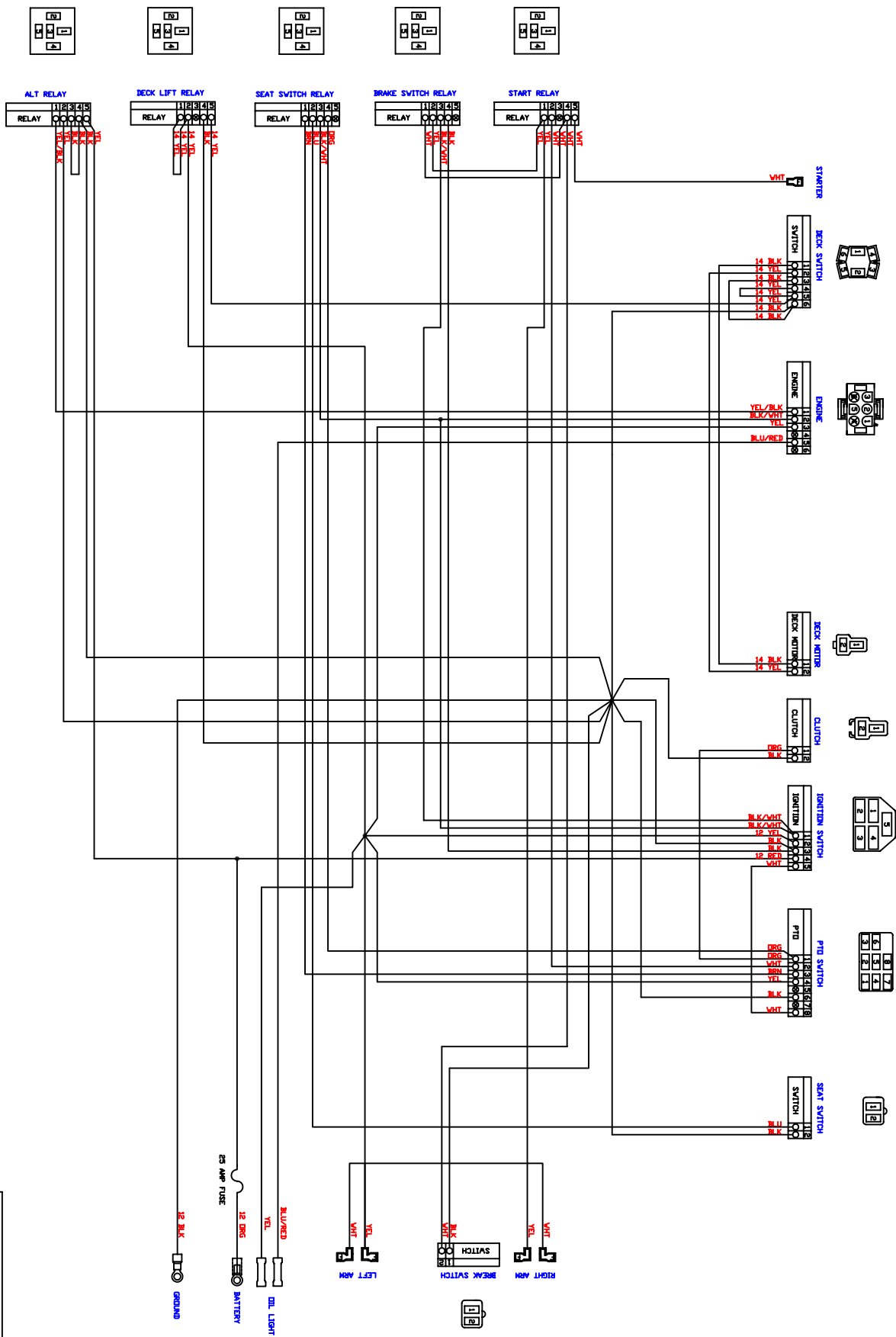


ALL WIRES 16GA UNLESS NOTED OTHERWISE.



**ELECTREX, INC.**  
 HUTCHINSON, KS  
 CUSTOMER: BAID BOY  
 THEIR P/N: 086-2050-00  
 DWG TITLE: SCHEMATIC  
 OUR P/N: 9199028SCHEMATIC  
 REVISION: 3  
 DATE: 9/28/05  
 DRAWN BY: AND

THIS DRAWING AND THE INFORMATION IT CONTAINS ARE THE PROPERTY OF ELECTREX, INC. AND MAY BE USED BY OTHERS ONLY AS AUTHORIZED BY US.