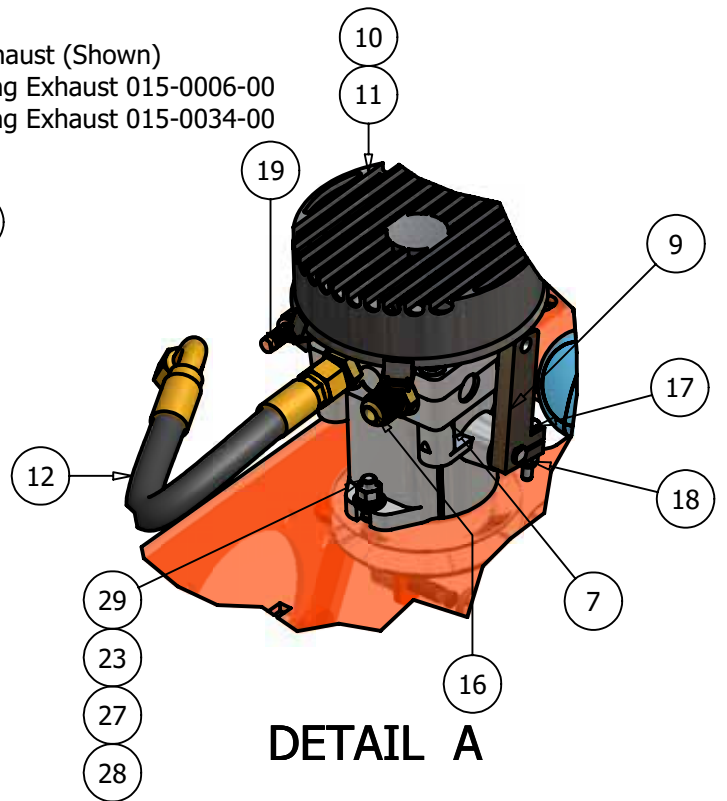
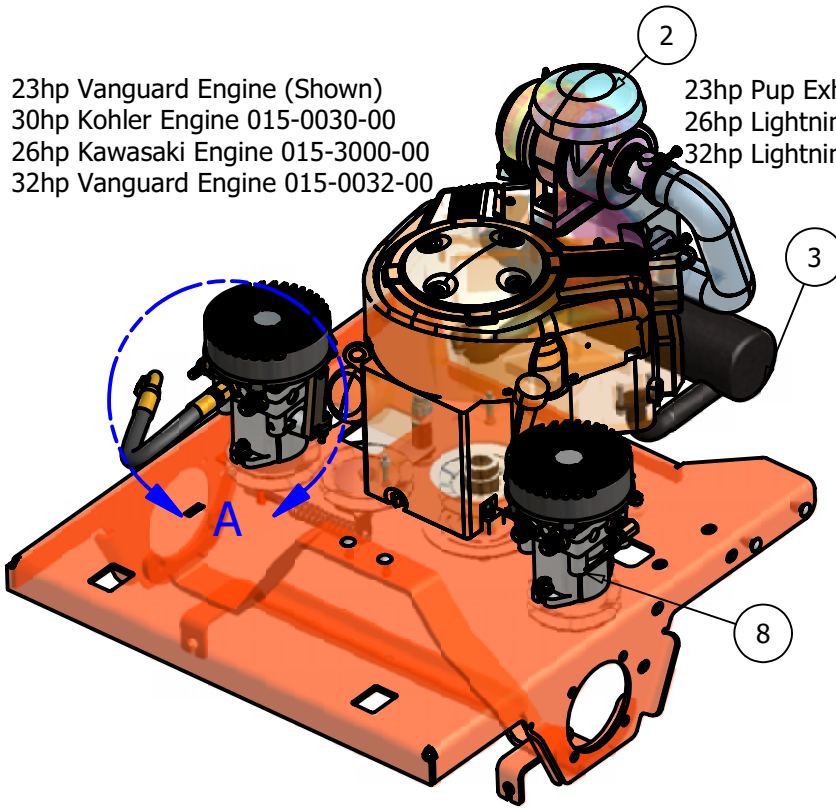


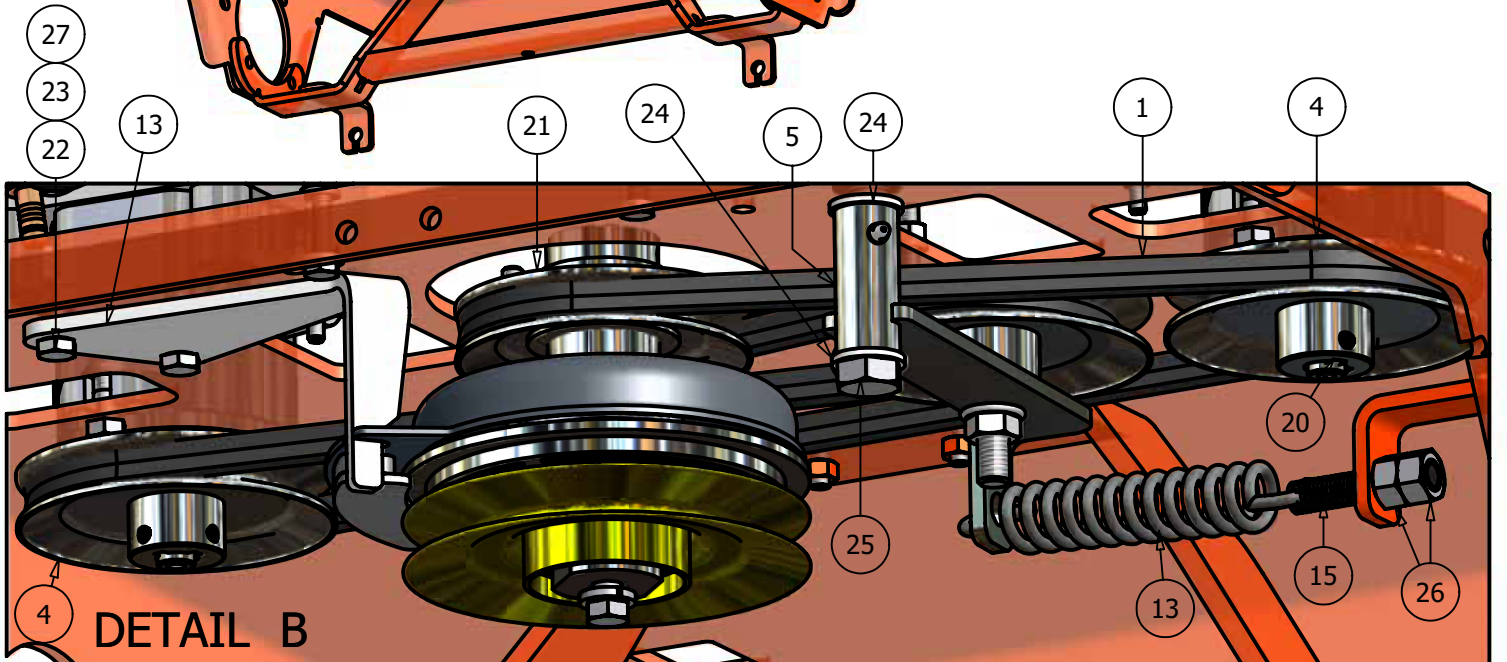
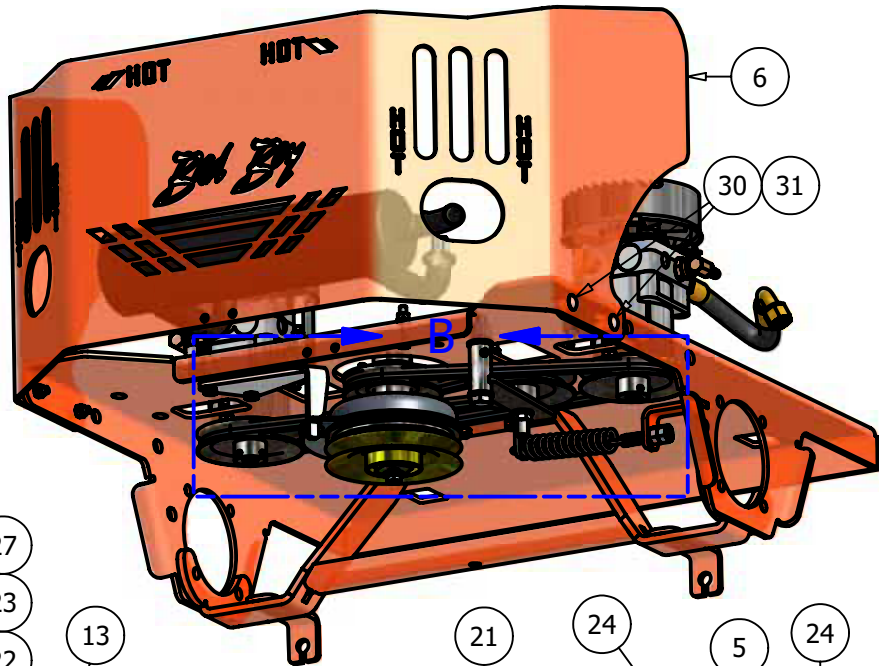
23hp Vanguard Engine (Shown)  
 30hp Kohler Engine 015-0030-00  
 26hp Kawasaki Engine 015-3000-00  
 32hp Vanguard Engine 015-0032-00

23hp Pup Exhaust (Shown)  
 26hp Lightning Exhaust 015-0006-00  
 32hp Lightning Exhaust 015-0034-00



**DETAIL A**

10A Pump (Shown)  
 12A Pump: 26hp and 32hp Lightning Models  
 050-3050-00 Right Pump  
 050-3000-00 Left Pump



**DETAIL B**

For more detail concerning clutch assembly, refer to the table of context and look for the clutch stack page.

| Hydraulic Pump/ Clutch |     |             |  |
|------------------------|-----|-------------|--|
| ITEM                   | QTY | PART NUMBER | DESCRIPTION  |
| 1                      | 1   | 041-5048-00 | Pump Belt  |
| 2                      | 1   | 015-0023-00 | 23 HP Vanguard Motor   |
| 3                      | 1   | 015-0033-00 | 23 HP Vanguard Exhaust   |
| 4                      | 2   | 033-5003-00 | 5" Pump Pulley   |
| 5                      | 1   | 039-5944-00 | Pump Idler Bracket   |
| 6                      | 1   | 026-5321-00 | Pup Rear Plate   |
| 7                      | 1   | 050-5303-00 | Right Hydraulic Pump   |
| 8                      | 1   | 050-5302-00 | Left Hydraulic Pump  |
| 9                      | 2   | 031-5333-00 | Pup Pump Arm   |
| 10                     | 2   | 015-9999-00 | Hydraulic Fan  |
| 11                     | 2   | 014-5500-00 | Fan Guard  |
| 12                     | 4   | 051-5341-00 | Hydraulic Hose   |
| 13                     | 1   | 057-5906-00 | PTO Engager Holder   |
| 14                     | 1   | 034-5039-00 | Pump Idler Spring 6"   |
| 15                     | 1   | 018-2004-00 | Spring Tensioner   |
| 16                     | 4   | 024-7033-00 | Hydraulic Fitting  |
| 17                     | 2   | 018-5005-00 | 1/4" x 1 1/2" Bolt   |
| 18                     | 2   | 013-8073-00 | 1/4" Nylock Nut  |
| 19                     | 4   | 024-5206-00 | 3/8" X 9/16" Male Fitting                                      |
| 20                     | 2   | 042-5301-00 | 5mm x 1" Key   |
| 21                     | 1   | 033-5034-00 | 4 3/4" Motor Pulley  |
| 22                     | 2   | 018-6049-00 | 3/8" x 1" Hex Bolt   |
| 23                     | 6   | 013-6014-00 | 3/8" Hex Nut   |
| 24                     | 2   | 019-6017-00 | .635 ID Plastic Washer   |
| 25                     | 1   | 018-5311-00 | 5/8" x 4" Hex Bolt   |
| 26                     | 2   | 013-7018-00 | 1/2" Hex Nut   |
| 27                     | 4   | 019-5037-00 | 3/8" Lock Washer   |
| 28                     | 4   | 019-5029-00 | 3/8" Flat Washer   |
| 29                     | 4   | 018-6012-00 | 3/8" x 1 1/2" Hex Bolt   |
| 30                     | 4   | 018-8065-00 | 5/16" x 1" Carriage Bolt                                       |
| 31                     | 4   | 013-8047-00 | 5/16" Nylock Nut   |
| 32                     | 1   | 063-8050-00 | Canister Filter (23 Pup only)                                  |
| 33                     | 1   | 063-8019-00 | Outer Canister Air Filter (26hp & 32hp Lightning and 30hp Pup) |
| 34                     | 1   | 063-8020-00 | Inner Canister Air Filter (26hp & 32hp Lightning and 30hp Pup) |