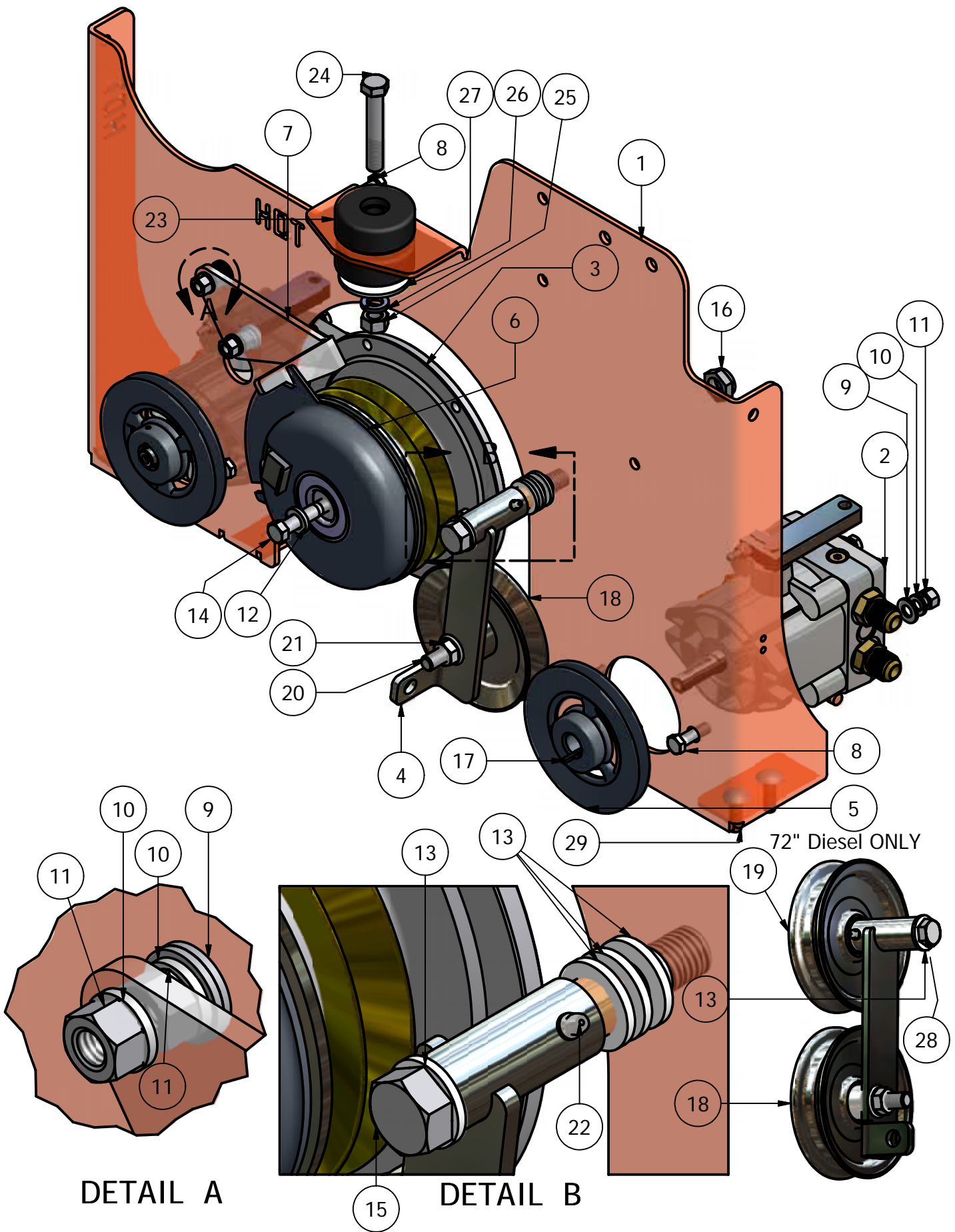


Diesel Pump Plate



Diesel Clutch Assembly			
ITEM	QTY	PART NUMBER	DESCRIPTION
1	1	026-8003-00	Diesel Pump Plate
2	2	050-5308-00/ 050-5407-00	Hydraulic Pump (16A) Left/ Right
3	1	017-3000-00	Stub Shaft
4	1	039-5944-00	Pump Idler Bracket
5	2	033-5011-00	5" Pump Pulley
6	1	070-5040-00	Diesel Clutch
7	1	057-5906-00	PTO Engager Holder
8	6	018-6012-00	3/8" x 1 1/2" Hex Bolt
9	8	019-5029-00	3/8" Flat Washer
10	8	019-5037-00	3/8" Lock Washer
11	8	013-6014-00	3/8" Hex Nut
12	1	019-8053-00	7/16" Lock Washer
13	4	019-6017-00	.635 ID Plastic Washer
14	1	018-5401-00	7/16" x 2 3/4" Fine Thread Bolt
15	1	018-5312-00	5/8" x 4 1/2" Hex Bolt (60")
16	1	013-5301-00	5/8" Nylock (1/2 Jam)
17	2	042-5012-00	5mm x 1.25" Key
18	1	033-6001-00	4 3/4" Idler Pulley
19	1	033-4050-00	Diesel Idler Pulley
20	1	018-6036-00	1/2" x 2 1/2" Bolt
21	1	013-8050-00	1/2" Nylock Flange Nut
22	1	024-6034-00	Grease Fitting
23	1	032-4000-00	Rubber Isolator
24	1	018-7016-00	1/2" x 3" Hex Bolt
25	1	013-7018-00	1/2" Hex Nut
26	1	019-5007-00	1/2" Lock Washer
27	1	032-4001-00	Vibration Mount Snubbing Washer
28	1	018-6016-00	5/8" x 5 1/2" Hex Bolt (72")
29	6	018-5043-00	3/8" x 1 1/4" Carriage Bolt